

DOMINO

AUTOMATIC

*Easier than ever.
Safer than ever.*



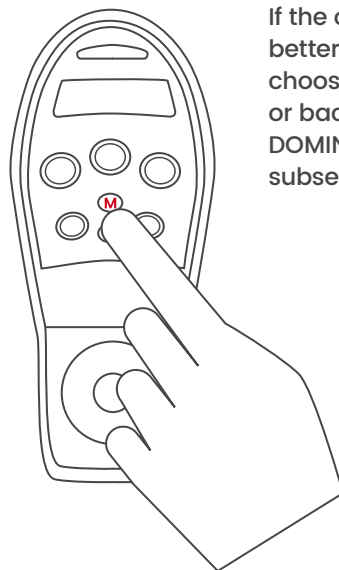
zonzini[®]

STAIRCLIMBERS

**TAKING
THINGS TO
THE NEXT
LEVEL**

zonzini®

STAIRCLIMBERS



If the operator realises that a different tilt would be better, simply press the “M” key on the control, and choose a new load tilt by moving the joystick forward or backward. DOMINO Automatic will store the new reference for the subsequent stair ramps, making transport safer.

DOMINO

AUTOMATIC

**EASIER
THAN EVER.
SAFER
THAN EVER.**



By pressing the Automatic key, DOMINO automatically adjusts the load tilt on the stair, relieving much stress during transport to the operator. The safety tilt set by default is tested for most loads and stairs built according to standards.



Independent, anti-slip crawler tracks



PRACTICALITY AND SAFETY

The independent crawler tracks with double electric motor guarantee maximum manoeuvring comfort even in narrow spaces.



DOMINO is equipped with non-scratching, anti-slip crawler tracks that can rotate 360 degrees. Made of highly resistant special compound, allows you going up and down any type and shape of stairs with ease and safety.



The load is always well-balanced and safe





NO FATIGUE FOR THE OPERATOR

With the new Automatic feature, DOMINO automatically tilts the load on the stair; the operator simply has to drive it through the joystick. So much technology to make transport easier and safer than ever.



The weight is always distributed evenly on the stair, so that the operator does not have to keep the trolley balanced. Thanks to its special crawler tracks, the load always remains safe, with no risk of slipping.

PERFECT ALSO FOR VENDING MACHINES AND BULKY LOADS



DOMINO Automatic is the perfect partner for bulky and large loads; its independent crawler tracks allow manoeuvring even in narrow spaces, and the weight is always borne by the stair.





EXTREME EASE OF MOVEMENT

The joystick control is easy and intuitive, and allows the operator to move at any time, even while he/she is climbing or descending.



You can also use it in spiral staircases, if compatible with the size of the load being carried and the steering range of the stair.





One-finger
control



VERSATILITY AND CONVENIENCE

With DOMINO you can move both on stairs and on inclined planes, as well as on different types of floorings. Even outdoors.

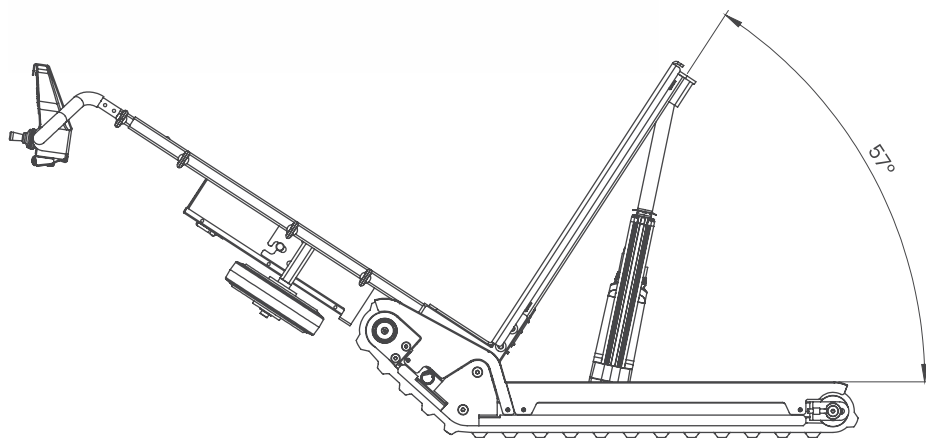
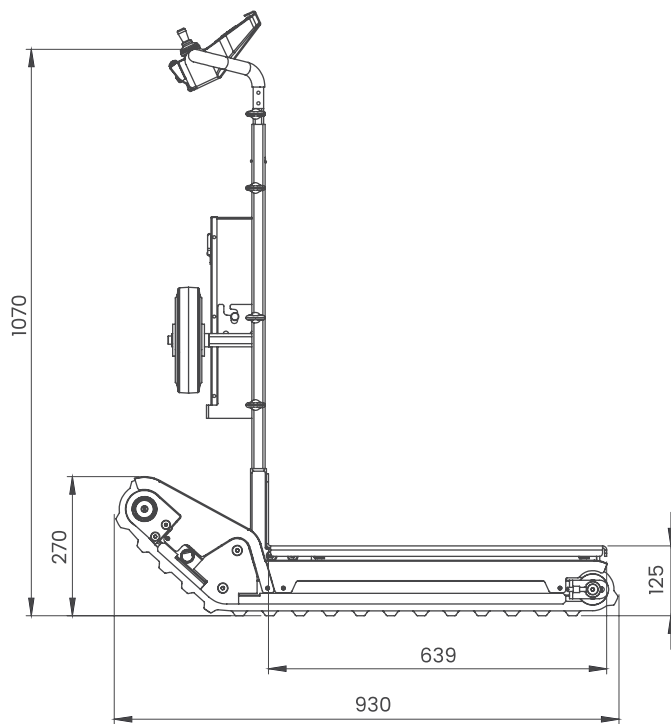


DOMINO can also be used outdoors on uneven surfaces such as grass, gravel, dirt etc., without requiring the operator to keep the load balanced.

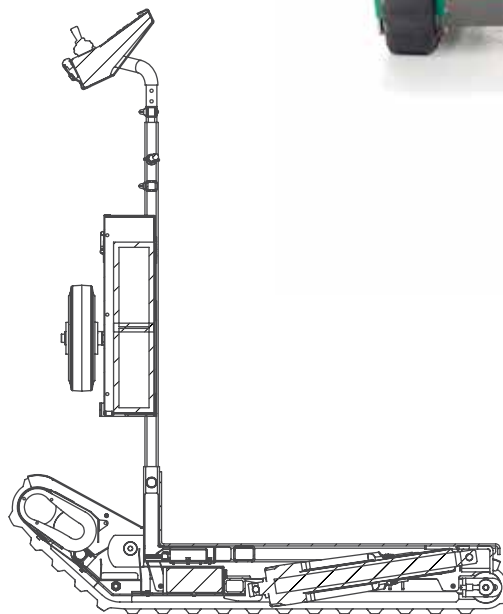
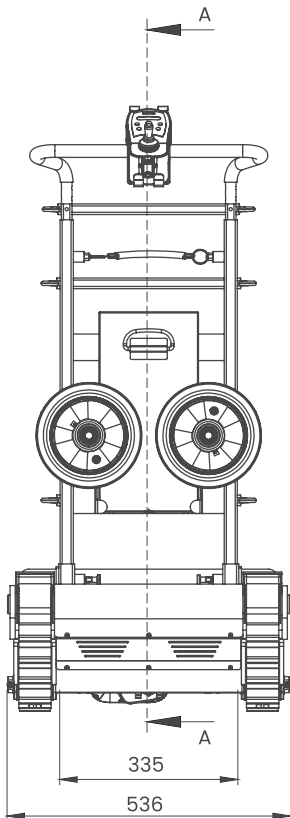
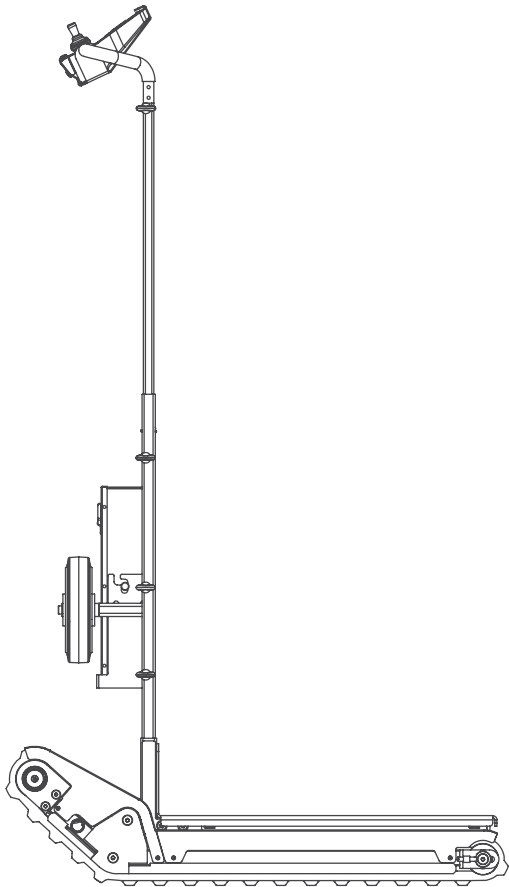


TECHNICAL SPECIFICATIONS





Maximum load surface tilting



Section A-A





TECHNICAL DATA

Available capacities

160, 300 e 400 kg

Measurements

536 mm x 930 mm x H 1142 mm.

Height of the load surface from the ground: 125 mm.

Weight

Weight without battery: 79 Kg

Weight of the battery: 17 Kg

Structure

Height-adjustable handle. The frame can be removed to take up less space on the vehicle.

Travel speed on the stairs

(adjustable thanks to the proportional joystick)

DOMINO 160 kg: 5 sec / metre

DOMINO 300 kg: 7 sec / metre

DOMINO 400 kg: 10 sec / metre

Battery type

Silicone with no memory effect.

Battery life*

DOMINO 160 kg: about 1000 steps

DOMINO 300 kg: about 750 steps

DOMINO 400 kg: about 500 steps

*Battery life in terms of operating time and lifespan depends on the recommended load cycles and on conditions of use and storage.

Operating space

Extremely narrow, thanks to the vertical position of the load and to the independent crawler tracks that allow 360 degrees rotation.

Standard equipment

DOMINO always comes equipped with:

one belt to tie the load;

one battery pack;

one automatic 220/24V battery charger;

one standard base, 50 cm wide and 62 cm deep.

* The company Zonzini Srl has the right to make changes and/or improvements to the products and/or components at any time, also without prior notice.



ADVANTAGES



Manoeuvring in narrow spaces

The independent crawler tracks with double electric motor guarantee maximum manoeuvring comfort even in narrow spaces.



Balanced load

Thanks to the electric actuator, the load angle can be adjusted in order to keep it upright and balanced at all times.



Non-slipping

Non-marking and non-slipping crawler tracks, suitable for all indoor and outdoor surfaces.



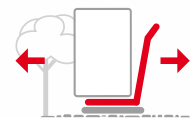
Irregular steps

You are no longer restricted by the height of the steps, since it can also go up irregular steps.



One-finger control

It is operated with a proportional joystick, making it easy-to-use and intuitive.



Movement on flat surfaces

DOMINO allows loads to be moved also on flat surfaces, both indoors and outdoors.



Optional

It can be equipped with a range of optional accessories so that it perfectly meets every need.



ACCESSORIES

Adjustable base for photocopiers

It is a highly useful and essential base for those who carry photocopiers and other objects that move on wheels. Thanks to the retractable slides you can easily load/unload the photocopier from the trolley's load surface. Once completed the operation, the slides retract under the base itself, to take up as little space as possible. It's an accessory adjustable in width up to 70 cm and with a maximum capacity of 400 kg.



Adjustable base for bulky loads

Allows extending the load surface up to 80 cm



Wheeled base

It supports the load on 4 wheels, therefore is suitable for long distance manual transportation on flat surfaces. Furthermore, once arrived at the stair, it lets you start directly on the flight of stairs without having to climb down.





Lifting columns

They allow lifting the load and positioning it electrically on DOMINO's base. One operator can work alone, with this accessory.

Their electrical operation and 400 kg capacity make them ideal for any type of load, with or without pallet.

They can lift the load up to 18 cm from the ground, just enough to leave sufficient entrance space to the stair climber.





Aluminium ramp

Very useful when loading and unloading the goods from the van.

The ramp's measurements are 67 cm x 8 cm x 200 cm. Upon customer request, ramps with customised measurements can be provided.

Central arm for van

It is used to move the load in a tilted position on the van. It is ideal for long loads on relatively low vans. It is attached directly to DOMINO's frame and is equipped with swivel wheels.

Base for narrow landings

Simple and easy-to-use.

It offers the advantage of avoiding the first step of the next flight of stairs and to manoeuvre the load in even narrower spaces.



Tilted base for photocopiers

It is useful in the case of vans with low loading height. This accessory allows photocopiers to be loaded/unloaded from the van while outside, so that the photocopier dictates the limits of space, without the trolley affecting this.

DOMINO directly climbs up onto it by using the crawler tracks. This accessory is equipped with a telescopic structure that allows the feet to be adjusted according to the height of the van, and moves on swivel wheels.

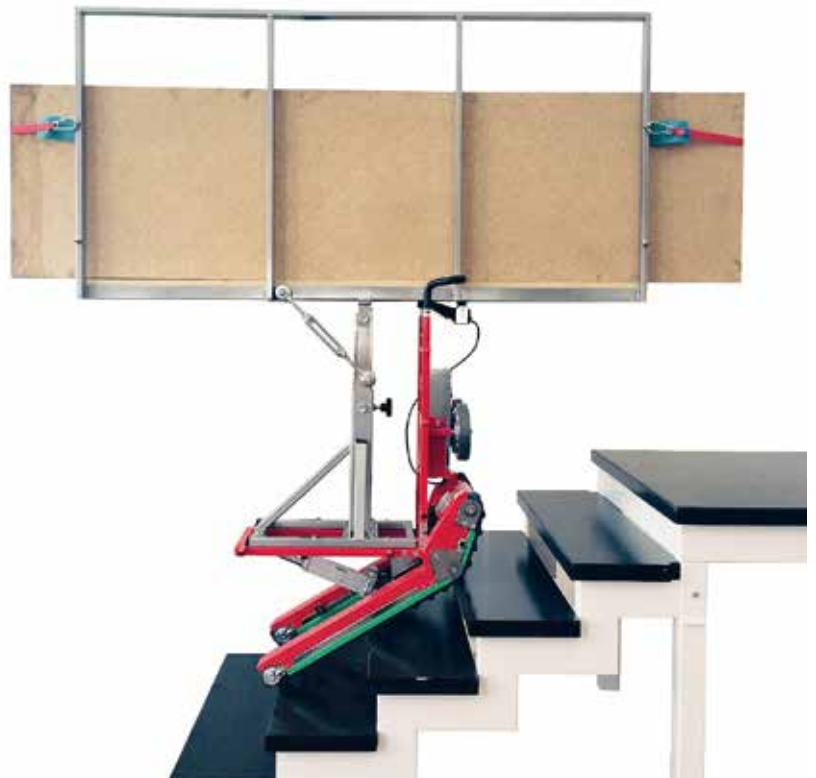


Counterframe for slabs and tops

It is used to carry slabs, kitchen tops, glass windows, doors and windows without any effort for the operator.

It can be tilted as needed, either on one side or on the other side.

In addition, by changing the tilting of DOMINO's load surface, a range of combinations can be obtained, which will allow you working in various environments.



Ensuring high-quality technology and reliability

**FOR OVER
40 YEARS**

zonzini®

STAIRCLIMBERS



**WE LIKE TO
DO THINGS
PROPERLY**

TECHNOLOGY AND RELIABILITY

For over 40 years, we have evolved and established ourselves in designing electrical stairclimbers to meet all transportation needs.



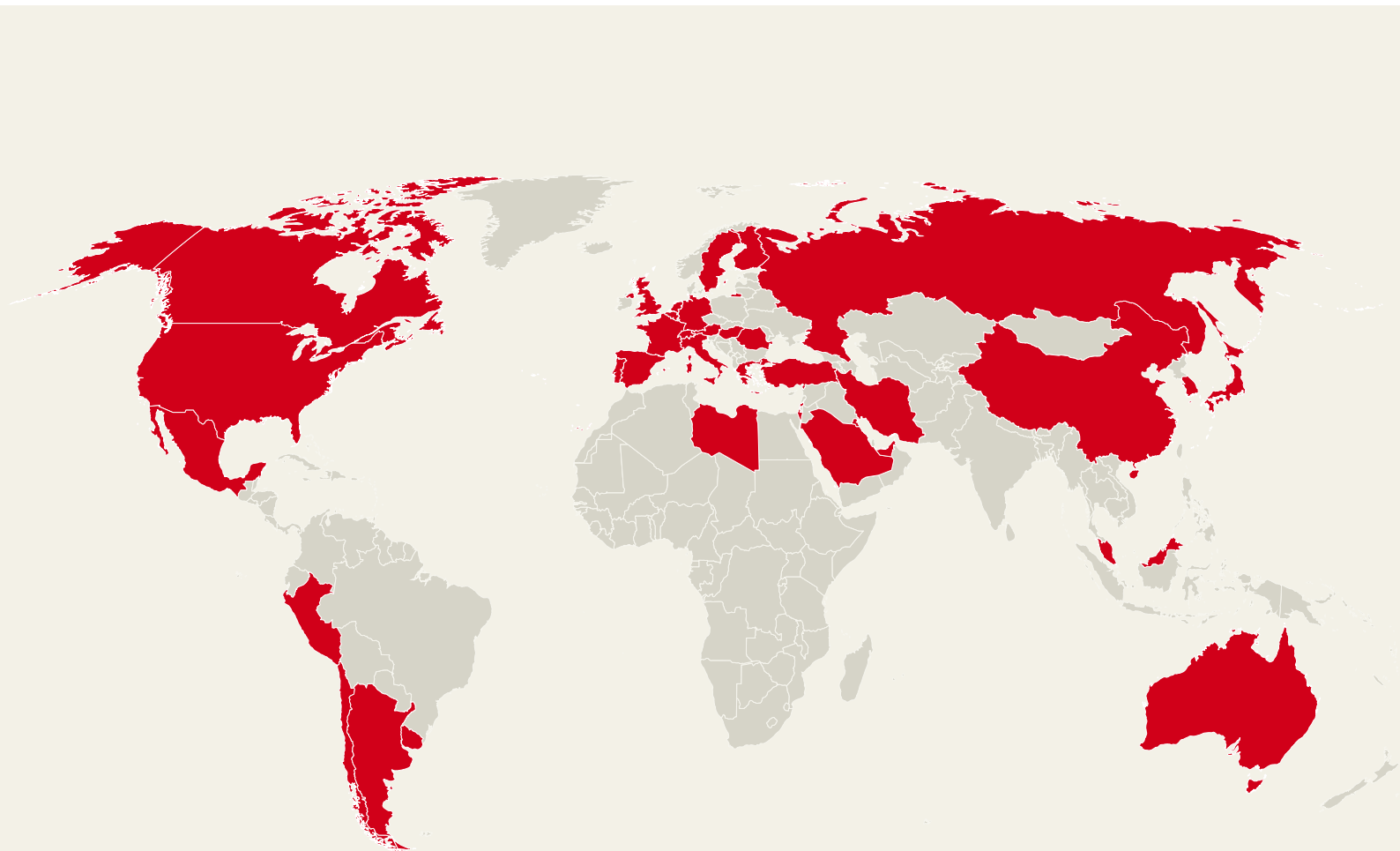
All our products ensure comfort during use, safety and reliability. They are made in accordance with an in-house set of rules and regulations relating to quality that has long made them synonymous with top quality, gaining trust from our customers.

We are aware that, in this sector, requirements vary from one customer to another, which is why our greatest value is to know how to listen.

Our customers have always been our most precious asset, and our priority is to listen to them and assist them. Therefore, the daily goal of our technicians is to analyse their every need in order to use this information to make improvements and develop increasingly advanced solutions.

WE OPERATE WORLDWIDE

We operate internationally with more than 30 countries that have chosen us as a reference for high quality products.



zonzini[®]

STAIRCLIMBERS



ZONZINI SRL
Vic. Don Luigi Sturzo 8, Z.I.
37052 Casaleone, Verona - Italy
Tel. +39 0442 33 04 21
Fax +39 0442 33 24 06
E-mail info@zonzini.it
www.zonzini.us

